

Ceiling-Suspended Air Conditioners and Heat Pumps

26PST1U6

26PET1U6



Indoor Unit
S-26PT1U6

36PST1U6 / 42PST1U6

36PET1U6 / 42PET1U6



Indoor Unit
S-36PT1U6 / S-42PT1U6



Outdoor Unit
U-26PS1U6 / U-26PE1U6



Wired Remote Controller
(Included)

Wireless Remote Controller
(optional)



Outdoor Unit
U-36PS1U6 / U-36PE1U6

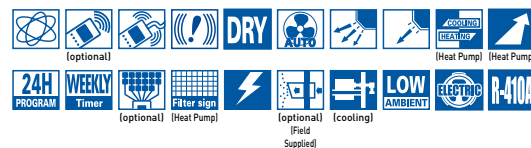


Outdoor Unit
U-42PS1U6 / U-42PE1U6



Wired Remote Controller
(Included)

Wireless Remote Controller
(optional)



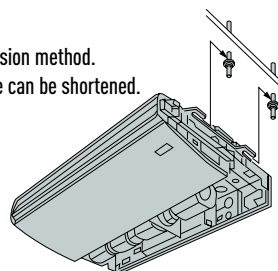
Quiet Operation

The ceiling-mounted unit is equipped with a highly efficient, multi-blade centrifugal fan that generates a powerful, yet gentle airflow throughout the room. A redesigned aerodynamically tested louver structure minimizes operational sound even at high fan speed.



Improved Serviceability / Easy Installation

External suspension method. Installation time can be shortened.

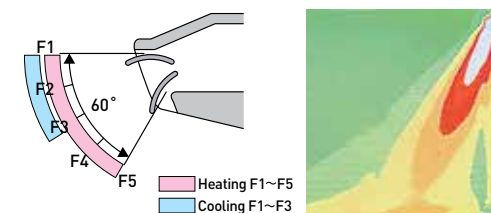


Improved accessibility to electronic components (control box) for servicing.



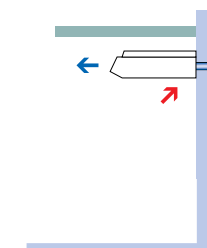
Auto-Louver Function Provides Optimum Airflow During Heating or Cooling Operation

Auto-louver function is a standard feature which provides optimum airflow during heating or cooling operation. Angle of louver is automatically set for heating or cooling. For example, when heating with fan speed set to low, the discharge is aimed downward so that warm air reaches the floor. The louver angle can be set to between 4°F above and 80°F below the horizontal in five steps. An auto-sweep function to distribute the airflow over a wide area is also provided. Wind direction is adjusted automatically in both heating and cooling operation. The louver can also be set to swing automatically from F1 to F5 in any operation mode (heat pump type only).



Fresh Air Intake Capability and Duct Extension

Ceiling-suspended models have the capability of bringing fresh air from outside using an air-intake duct (field supplied).



Ceiling - Suspended													
		Air Conditioners						Heat Pumps					
		26PST1U6		36PST1U6		42PST1U6		26PET1U6		36PET1U6		42PET1U6	
Model No.		Indoor Unit	Outdoor Unit	Indoor Unit	Outdoor Unit	Indoor Unit	Outdoor Unit	Indoor Unit	Outdoor Unit	Indoor Unit	Outdoor Unit	Indoor Unit	Outdoor Unit
Unit Model No.		S-26PT1U6	U-26PS1U6	S-36PT1U6	U-36PS1U6	S-42PT1U6	U-42PS1U6	S-26PT1U6	U-26PE1U6	S-36PT1U6	U-36PE1U6	S-42PT1U6	U-42PE1U6
Performance & Electrical Ratings													
Capacity	Cooling	24,400 (9,500-24,400)		31,200 (9,500-31,200)		39,000 (9,500-39,000)		24,400 (9,500-24,400)		31,200 (9,500-31,200)		39,000 (9,500-39,000)	
	Heating	---		---		---		30,800 (8,000-30,800)		37,400 (8,000-37,400)		44,500 (8,000-44,500)	
Moisture Removal	High	7.7		10.0		12.6		7.7		10.0		12.6	
Dry Air Flow	Hi / Med / Low	550 / 490 / 460		1,100 / 930 / 750		1,130 / 950 / 775		550 / 490 / 460		1,100 / 930 / 750		1,130 / 950 / 775	
SEER	Cooling	14.5		15.1		15.6		14.5		15.1		15.6	
EER	Cooling	8.5		8.10		9.4		8.5		8.10		9.4	
HSPF	Heating	---		---		---		9.4		8.8		9.5	
Power Supply	V, Phase, Hz	230 / 208 / 1 / 60		230 / 208 / 1 / 60		230 / 208 / 1 / 60		230 / 208 / 1 / 60		230 / 208 / 1 / 60		230 / 208 / 1 / 60	
Running Amps	Cooling	15.6 / 17.3		18.2 / 20.1		21.1 / 23.3		15.6 / 17.3		18.2 / 20.1		21.1 / 23.3	
	Heating	---		---		---		16.4 / 18.1		15.6 / 17.3		18.6 / 20.6	
Power Input	Cooling	2,880 / 2,880		3,840 / 3,840		4,140 / 4,140		2,880 / 2,880		3,840 / 3,840		4,140 / 4,140	
	Heating	---		---		---		3,000 / 3,000		3,250 / 3,250		3,630 / 3,630	
Fuse or Circuit Breaker Capacity	A	15	30	15	35	15	40	15	30	15	35	15	40
Features													
Controls		Microprocessor		Microprocessor		Microprocessor		Microprocessor		Microprocessor		Microprocessor	
Low Ambient Control (for Cooling)		Built-in 0°F		Built-in 0°F		Built-in 0°F		Built-in 0°F		Built-in 0°F		Built-in 0°F	
Wireless Remote Controller (optional)		CZ-RWSU2U, CZ-RWSC1U		CZ-RWSU2U, CZ-RWSC1U		CZ-RWSU2U, CZ-RWSC1U		CZ-RWSU2U, CZ-RWSC1U		CZ-RWSU2U, CZ-RWSC1U		CZ-RWSU2U, CZ-RWSC1U	
Wired Remote Controller (included)		CZ-RTC2		CZ-RTC2		CZ-RTC2		CZ-RTC2		CZ-RTC2		CZ-RTC2	
Fan Speeds		3 and Automatic Control / Variable		3 and Automatic Control / Variable		3 and Automatic Control / Variable		3 and Automatic Control / Variable		3 and Automatic Control / Variable		3 and Automatic Control / Variable	
Timer		7 Days/6 Events		7 Days/6 Events		7 Days/6 Events		7 Days/6 Events		7 Days/6 Events		7 Days/6 Events	
Air Deflection	Horizontal	---		---		---		---		---		---	
	Vertical	Automatic		Automatic		Automatic		Automatic		Automatic		Automatic	
Air Filter		Washable		Washable		Washable		Washable		Washable		Washable	
Refrigerant		R-410A		R-410A		R-410A		R-410A		R-410A		R-410A	
Refrigerant control		Electric Expansion Valve		Electric Expansion Valve		Electric Expansion Valve		Electric Expansion Valve		Electric Expansion Valve		Electric Expansion Valve	
Operation Sound	In(Hi / Me / Lo)	39 / 37 / 33		42 / 40 / 35		44 / 41 / 37		39 / 37 / 33		42 / 40 / 35		44 / 41 / 37	
	Outdoor(Hi)	49		52		53		49		52		53	
Refrigerant Piping	Type	Flare		Flare		Flare		Flare		Flare		Flare	
	Discharge	3/8"		3/8"		3/8"		3/8"		3/8"		3/8"	
	Suction	5/8"		5/8"		5/8"		5/8"		5/8"		5/8"	
Refrigerant Pipe Length	FL	Max. 165		Max. 165		Max. 165		Max. 165		Max. 165		Max. 165	
Elevation Difference*	Outdoor Above	FL Max. 100		FL Max. 100		FL Max. 100		FL Max. 100		FL Max. 100		FL Max. 100	
	Outdoor Below	FL Max. 50		FL Max. 50		FL Max. 50		FL Max. 50		FL Max. 50		FL Max. 50	
Dimensions & Weight		Indoor Unit	Outdoor Unit	Indoor Unit	Outdoor Unit	Indoor Unit	Outdoor Unit	Indoor Unit	Outdoor Unit	Indoor Unit	Outdoor Unit	Indoor Unit	Outdoor Unit
Height	inches	7-17/32"	30-23/32"	9-7/16"	30-23/32"	9-7/16"	48-7/16"	7-17/32"	30-23/32"	9-7/16"	30-23/32"	9-7/16"	48-7/16"
Width	inches	51-3/16"	37"	62-1/32"	37"	62-1/32"	37"	51-3/16"	37"	62-1/32"	37"	62-1/32"	37"
Depth	inches	26-3/8"	13-3/8"	26-3/8"	3-3/8"	26-3/8"	13-3/8"	26-3/8"	13-3/8"	26-3/8"	13-3/8"	26-3/8"	13-3/8"
Net Weight	Lbs.	57.0	128.0	84.0	143.0	84.0	220.0	57.0	128.0	84.0	143.0	84.0	220.0

* This is maximum elevation difference when the indoor unit is located above the outdoor unit. (Refer to the table on the back of the catalog)

Ceiling-Recessed Air Conditioners and Heat Pumps

KS12NB41 / KS18NB4U

KE12NB41 / KE18NB4U

Indoor Unit
CS-KS12NB41
CS-KS18NB4UW
CS-KE12NB41
CS-KE18NB4UW

Grille Assembly
CZ-18BT1U



Wireless Remote Controller (Included)



Wired Remote Controller (optional)



Outdoor Unit
CU-KS12NK1A
CU-KE12NK1



Outdoor Unit
CU-KS18NKUA
CU-KE18NKU



26PSU1U6

26PEU1U6

Indoor Unit
S-26PU1U6

Grille Assembly
CZ-24KPU1U



Wired Remote Controller (Included)

36PSU1U6 / 42PSU1U6

36PEU1U6 / 42PEU1U6

Indoor Unit
S-36PU1U6 / S-42PU1U6

Grille Assembly
CZ-36KPU1U



Wired Remote Controller (Included)



Outdoor Unit
U-36PS1U6
U-36PE1U6

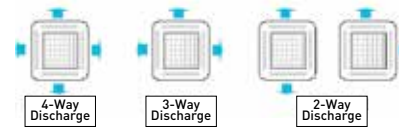


Outdoor Unit
U-42PS1U6
U-42PE1U6



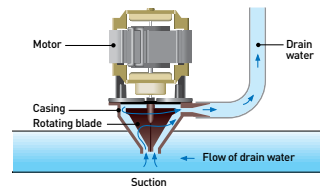
4-Way Airflow Design Sends Cool Air in all Directions

Air is returned through the center of the grille, while evenly distributing air through each of the 4 supply air openings. Installation in the center of the room provides for the greatest comfort. However, 1 or 2 supply louvers can be closed for installation near 1 wall to provide 3 or 2 way airflow. Also, by closing off 1 supply louver, you may attach a duct (field supply) to the upper plenum and provide conditioned air to another, separate area.



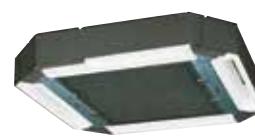
Integrated Drain Pump

Drain pump is built into the unit to raise the condensate up 20 inches from the drain pump discharge.



Fresh Air Intake Plenum (Option)

When used to take in fresh air, attach the fresh air-intake plenum to the unit. Air-intake plenum is optionally supplied. CZ-26BCU1U for S-26PU1U6 CZ-42BCU1U for S-36/42PU1U6



Whisper-Quiet Operation

Thanks to the newly developed turbo fan and decreased resistance of the air path, one of the industry's lowest levels of noise has been achieved.

Model No.	Ceiling - Recessed				Air Conditioners				Heat Pumps				
	KS12NB41A		KS18NB4UA		KE12NB41		KE18NB4U						
Unit Model No.	Indoor Unit	Outdoor Unit	Indoor Unit	Outdoor Unit	Indoor Unit	Outdoor Unit	Indoor Unit	Outdoor Unit	Indoor Unit	Outdoor Unit	Indoor Unit	Outdoor Unit	
	CS-KS12NB41	CU-KS12NK1A	CS-KS18NB4UW	CU-KS18NKUA	CS-KE12NB41	CU-KE12NK1	CS-KE18NB4UW	CU-KE18NKU	CS-KE12NB41	CU-KE12NK1	CS-KE18NB4UW	CU-KE18NKU	
Grille Assembly	CZ-18BT1U				CZ-18BT1U				CZ-18BT1U				
Performance & Electrical Ratings													
Capacity	Cooling Btu/h	11,900 (3,000 - 11,900)		17,500 (4,000 - 17,500)		11,900 (3,000 - 11,900)		17,500 (4,000 - 17,500)		11,900 (3,000 - 11,900)		17,500 (4,000 - 17,500)	
	Heating Btu/h	---		---		13,600 (3,000 - 13,600)		20,400 (4,400 - 20,400)		13,600 (3,000 - 13,600)		20,400 (4,400 - 20,400)	
Moisture Removal	High Pints/H	4.26		4.89		4.26		4.89		4.26		4.89	
Dry Air Flow	Hi / Med / Low CFM	235 / 206 / 194		341 / 294 / 253		235 / 206 / 194		341 / 294 / 253		235 / 206 / 194		341 / 294 / 253	
SEER	Cooling Btu/Wh	16		16		16		16		16		16	
EER	Cooling Btu/Wh	9.4		9.41		9.4		9.4		9.4		9.4	
HSPF	Heating Btu/Wh	---		---		8.5		8.5		8.5		8.5	
Power Supply	V, Phase, Hz	115V, Single phase, 60Hz		208 / 230V, Single phase, 60Hz		115V, Single phase, 60Hz		208 / 230V, Single phase, 60Hz		115V, Single phase, 60Hz		208 / 230V, Single phase, 60Hz	
Running Amps	Cooling A	12.6 (2.5-12.6)		8.3 (1.2-8.3)		12.6 (2.5-12.6)		8.3 (1.2-8.3)		12.6 (2.5-12.6)		8.3 (1.2-8.3)	
	Heating A	---		---		14.6 (2.5-14.6)		10.5 (1.3-10.5)		14.6 (2.5-14.6)		10.5 (1.3-10.5)	
Power Input	Cooling W	1,260 (250-1,260)		1,860 (250-1,860)		1,260 (250-1,260)		1,860 (250-1,860)		1,260 (250-1,260)		1,860 (250-1,860)	
	Heating W	---		---		1,460 (250-1,460)		2,340 (270-2,340)		1,460 (250-1,460)		2,340 (270-2,340)	
Fuse or Circuit Breaker Capacity	A	20		20		20		20		20		20	
Features													
Controls	Microprocessor				Microprocessor				Microprocessor				
Low Ambient Control (for Cooling)	Equipped				Equipped				Equipped				
Wireless Remote Controller	Included				Included				Included				
Wired Remote Controller (optional)	CZ-R0515U				CZ-R0515U				CZ-R0515U				
Fan Speeds	Hi/Me/Lo & Auto				Hi/Me/Lo & Auto				Hi/Me/Lo & Auto				
Timer	1 hr OFF and 24-hr PROGRAM				1 hr OFF and 24-hr PROGRAM				1 hr OFF and 24-hr PROGRAM				
Air Deflection	Horizontal	---		---		Horizontal	---		---		Horizontal	---	
	Vertical	---		---		Vertical	---		---		Vertical	---	
Air Filter	Automatic Washable				Automatic Washable				Automatic Washable				
Refrigerant	R-410A				R-410A				R-410A				
Refrigerant Control	Electric Expansion Valve				Electric Expansion Valve				Electric Expansion Valve				
Operation Sound	In(Hi / Me / Lo) dB-A	34 / 32 / 31		44 / 40 / 36		34 / 32 / 31		44 / 40 / 36		34 / 32 / 31		44 / 40 / 36	
	Outdoor(Hi) dB-A	47		47		51		51		47		47	
Refrigerant Piping (Cooling)	Type	Flare		Flare		Flare		Flare		Flare		Flare	
	Discharge inches	1/4"		1/4"		1/4"		1/4"		1/4"		1/4"	
	Suction inches	3/8"		1/2"		3/8"		1/2"		3/8"		1/2"	
Refrigerant Pipe Length	Fl.	65		98		65		98		65		98	
Elevation Difference*	Outdoor Above Ft.	23		50		23		50		23		50	
	Outdoor Below Ft.	23		50		23		50		23		50	
Dimensions & Weight													
Height	inches	12-5/16"	21-9/16"	12-5/16"	26-3/8"	12-5/16"	21-9/16"	12-5/16"	26-3/8"	12-5/16"	21-9/16"	12-5/16"	26-3/8"
Width	inches	24-19/32"	28-11/32"	24-19/32"	34-21/32"	24-19/32"	28-11/32"	24-19/32"	34-21/32"	24-19/32"	28-11/32"	24-19/32"	34-21/32"
Depth	inches	24-19/32"	10-7/16"	24-19/32"	11-7/32"	24-19/32"	10-7/16"	24-19/32"	11-7/32"	24-19/32"	10-7/16"	24-19/32"	11-7/32"
Net Weight	Lbs.	41.3	75.0	41.3	90.4	41.3	75.0	41.3	90.4	41.3	75.0	41.3	97.0

Model No.	Ceiling - Recessed				Air Conditioners				Heat Pumps				
	26PSU1U6		36PSU1U6		42PSU1U6		26PEU1U6		36PEU1U6		42PEU1U6		
Unit Model No.	Indoor Unit	Outdoor Unit	Indoor Unit	Outdoor Unit	Indoor Unit	Outdoor Unit	Indoor Unit	Outdoor Unit	Indoor Unit	Outdoor Unit	Indoor Unit	Outdoor Unit	
	S-26PU1U6	U-26PS1U6	S-36PU1U6	U-36PS1U6	S-42PU1U6	U-42PS1U6	S-26PU1U6	U-26PE1U6	S-36PU1U6	U-36PE1U6	S-42PU1U6	U-42PE1U6	
Grille Assembly	CZ-24KPU1U				CZ-36KPU1U				CZ-36KPU1U				
Performance & Electrical Ratings													
Capacity	Cooling Btu/h	24,800 (9,500 - 24,800)		32,600 (9,500 - 32,600)		39,500 (9,500 - 39,500)		24,800 (9,500 - 24,800)		32,600 (9,500 - 32,600)		39,500 (9,500 - 39,500)	
	Heating Btu/h	---		---		---		29,800 (8,000 - 29,800)		37,600 (8,000 - 37,600)		48,000 (8,000 - 48,000)	
Moisture Removal	High Pints/H	8.1		10.6		12.6		8.1		10.6		12.6	
Dry Air Flow	Hi / Med / Low CFM	710 / 530 / 450		1,050 / 840 / 720		1,050 / 840 / 720		710 / 530 / 450		1,050 / 840 / 720		1,050 / 840 / 720	
SEER	Cooling	14.1		14.6		14.6		14.1		14.6		14.6	
EER	Cooling	8.5		8.1		8.7		8.5		8.1		8.7	
HSPF	Heating	---		---		---		9.6		8.4		9.7	
Power Supply	V, Phase, Hz	230 / 208 / 11 / 60		230 / 208 / 1 / 60		230 / 208 / 1 / 60		230 / 208 / 1 / 60		230 / 208 / 1 / 60		230 / 208 / 1 / 60	
Running Amps	Cooling A	15.6 / 17.3		18.7 / 20.7		23.0 / 25.4		15.6 / 17.3		18.7 / 20.7		23.0 / 25.4	
	Heating A	---		---		---		14.8 / 16.4		15.9 / 17.6		22.4 / 24.8	
Power Input	Cooling W	2,920 / 2,920		3,950 / 3,950		4,520 / 4,520		2,920 / 2,920		3,950 / 3,950		4,520 / 4,520	
	Heating W	---		---		---		2,790 / 2,790		3,350 / 3,350		4,360 / 4,360	
Fuse or Circuit Breaker Capacity	A	15	30	15	35	15	40	15	30	15	35	15	40
Features													
Controls	Microprocessor				Microprocessor				Microprocessor				
Low Ambient Control (for Cooling)	Built-in 0°F				Built-in 0°F				Built-in 0°F				
Wireless Remote Controller (optional)	CZ-RWSU2U, CZ-RWSC1U				CZ-RWSU2U, CZ-RWSC1U				CZ-RWSU2U, CZ-RWSC1U				
Wired Remote Controller (included)	CZ-RTC2				CZ-RTC2				CZ-RTC2				
Fan Speeds	3 and Automatic Control / Variable				3 and Automatic Control / Variable				3 and Automatic Control / Variable				
Timer	7 Days/6 Events				7 Days/6 Events				7 Days/6 Events				
Air Deflection	Horizontal	---		---		---		---		---		---	
	Vertical	Automatic		Automatic		Automatic		Automatic		Automatic		Automatic	
Air Filter	Washable				Washable				Washable				
Refrigerant	R-410A				R-410A				R-410A				
Refrigerant Control	Electric Expansion Valve				Electric Expansion Valve				Electric Expansion Valve				
Operation Sound	In(Hi / Me / Lo) dB-A	38 / 35 / 31		44 / 37 / 33		45 / 38 / 34		38 / 35 / 31		44 / 37 / 33		45 / 38 / 34	
	Outdoor(Hi) dB-A	49		52		53		49		52		53	
Refrigerant Piping	Type	Flare		Flare		Flare		Flare		Flare		Flare	
	Discharge inches	3/8"		3/8"		3/8"		3/8"		3/8"		3/8"	
	Suction inches	5/8"		5/8"		5/8"		5/8"		5/8"		5/8"	
Refrigerant Pipe Length	Fl.	Max. 165		Max. 165		Max. 165		Max. 165		Max. 165		Max. 165	
Elevation Difference*	Outdoor Above Ft.	Max. 100		Max. 100		Max. 100		Max. 100		Max. 100		Max. 100	
	Outdoor Below Ft.	Max. 50		Max. 50		Max. 50		Max. 50		Max. 50		Max. 50	
Dimensions & Weight													
Height	inches	13-5/16"	30-23/32"	14-31/64"	30-23/32"	14-31/64"	48-7/16"	13-5/16"	30-23/32"	14-31/64"	30-23/32"	14-31/64"	48-7/16"
Width	inches	33-55/64"	37"	45-9/32"	37"	45-9/32"	37"	33-55/64"	37"	45-9/32"	37"	45-9/32"	
Depth	inches	33-55/64"	13-3/8"	33-55/64"	13-3/8"	33-55/64"	13-3/8"	33-55/64"	13-3/8"	33-55/64"	13-3/8"	33-55/64"	
Net Weight	Lbs.	49.0	128.0	60.0	143.0	60.0	220.0	49.0	128.0	60.0	143.0	60.0	220.0

* This is maximum elevation difference when the indoor unit is located above the outdoor unit. (Refer to the table on the back of the catalog for more detail.)

Concealed Duct Air Conditioners and Heat Pumps

Optional Accessories

26PSF1U6 26PEF1U6

Indoor Unit S-26PF1U6
Supplies are 8" dia



Outdoor Unit U-26PS1U6 U-26PE1U6

Wired Remote Controller (Included)



36PSF1U6 36PEF1U6

Indoor Unit S-36PF1U6
Supplies are 8" dia

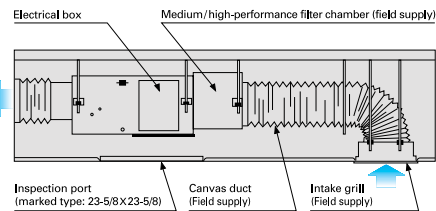


Outdoor Unit U-36PS1U6 U-36PE1U6

Wired Remote Controller (Included)



Outline diagram with medium or high-performance filter field installed.



Built-In Drain Pump

Drain pump is built into the unit to raise the condensate up 20 inches from the drain pump discharge.

Installation Example

The picture shows the standard ducting system, where air is taken in from the back of the unit. This system is useful for places that need extensive air conditioning, including conference halls, showrooms, and restaurants.



		Concealed Duct							
		Air Conditioners				Heat Pumps			
Model No.	Unit Model No.	26PSF1U6		36PSF1U6		26PEF1U6		36PEF1U6	
		Indoor Unit S-26PF1U6	Outdoor Unit U-26PS1U6	Indoor Unit S-36PF1U6	Outdoor Unit U-36PS1U6	Indoor Unit S-26PF1U6	Outdoor Unit U-26PE1U6	Indoor Unit S-36PF1U6	Outdoor Unit U-36PE1U6
Performance & Electrical Ratings	Capacity	Cooling Btu/h	24,000 (9,500 - 24,000)	31,200 (9,500 - 31,200)	24,000 (9,500 - 24,000)	31,200 (9,500 - 31,200)	24,000 (9,500 - 24,000)	31,200 (9,500 - 31,200)	24,000 (9,500 - 24,000)
	Heating Btu/h	---	---	---	---	---	---	---	---
Moisture Removal	High Pints/h	7.7	10.0	7.7	10.0	7.7	10.0	7.7	10.0
	Dry Air Flow Hi / Med / Low CFM	670 / 530 / 460	1,060 / 920 / 750	670 / 530 / 460	1,060 / 920 / 750	670 / 530 / 460	1,060 / 920 / 750	670 / 530 / 460	1,060 / 920 / 750
SEER	Cooling	14.0	13.9	14.0	13.9	14.0	13.9	14.0	13.9
	EER	9.1	7.8	9.1	7.8	9.1	7.8	9.1	7.8
HSPF	Heating	---	---	---	---	9.0	8.5	9.0	8.5
	Power Supply V, Phase, Hz	230 / 208, 1Ph, 60Hz	230 / 208, 1Ph, 60Hz	230 / 208, 1Ph, 60Hz	230 / 208, 1Ph, 60Hz	230 / 208, 1Ph, 60Hz	230 / 208, 1Ph, 60Hz	230 / 208, 1Ph, 60Hz	230 / 208, 1Ph, 60Hz
Running Amps	Cooling A	13.6 / 15.0	18.6 / 20.6	13.6 / 15.0	18.6 / 20.6	13.6 / 15.0	18.6 / 20.6	13.6 / 15.0	18.6 / 20.6
	Heating A	---	---	---	---	12.5 / 13.8	15.9 / 17.6	12.5 / 13.8	15.9 / 17.6
Power Input	Cooling W	2,600 / 2,600	3,920 / 3,920	2,600 / 2,600	3,920 / 3,920	2,600 / 2,600	3,920 / 3,920	2,600 / 2,600	3,920 / 3,920
	Heating W	---	---	---	---	2,400 / 2,400	3,340 / 3,340	2,400 / 2,400	3,340 / 3,340
External Static Pressure in. WC		0.20	0.24	0.20	0.24	0.20	0.24	0.20	0.24
Fuse or Circuit Breaker Capacity A		15	30	15	35	15	30	15	35
Features		Microprocessor		Microprocessor		Microprocessor		Microprocessor	
Controls		Built-in 0°F		Built-in 0°F		Built-in 0°F		Built-in 0°F	
Wireless Remote Controller (optional)		CZ-RWSU2U, CZ-RWSC1U		CZ-RWSU2U, CZ-RWSC1U		CZ-RWSU2U, CZ-RWSC1U		CZ-RWSU2U, CZ-RWSC1U	
Wired Remote Controller (included)		CZ-RTC2		CZ-RTC2		CZ-RTC2		CZ-RTC2	
Fan Speeds		3 and Automatic Control / Variable		3 and Automatic Control / Variable		3 and Automatic Control / Variable		3 and Automatic Control / Variable	
Timer		7 Days/6 Events		7 Days/6 Events		7 Days/6 Events		7 Days/6 Events	
Air Deflection	Horizontal	---	---	---	---	---	---	---	---
	Vertical	---	---	---	---	---	---	---	---
Air Filter		---		---		---		---	
Refrigerant Control		Electric Expansion Valve		Electric Expansion Valve		Electric Expansion Valve		Electric Expansion Valve	
Operation Sound	In(Hi / Me / Lo) dB-A	34 / 30 / 27	38 / 33 / 31	34 / 30 / 27	38 / 33 / 31	34 / 30 / 27	38 / 33 / 31	34 / 30 / 27	38 / 33 / 31
	Outdoor(Hi) dB-A	49	52	49	52	49	52	49	52
Refrigerant Piping	Type	Flare		Flare		Flare		Flare	
	Discharge inches	3/8"		3/8"		3/8"		3/8"	
	Suction inches	5/8"		5/8"		5/8"		5/8"	
Refrigerant Pipe Length	Ft.	Max. 165		Max. 165		Max. 165		Max. 165	
	Elevation Difference** Ft.	Max. 100		Max. 100		Max. 100		Max. 100	
Dimensions & Weight	Indoor Unit	Indoor Unit	Indoor Unit	Indoor Unit	Indoor Unit	Indoor Unit	Indoor Unit	Indoor Unit	Indoor Unit
	Outdoor Unit	Outdoor Unit	Outdoor Unit	Outdoor Unit	Outdoor Unit	Outdoor Unit	Outdoor Unit	Outdoor Unit	Outdoor Unit
Height inches	12-7/32"	30-23/32"	12-7/32"	30-23/32"	12-7/32"	30-23/32"	12-7/32"	30-23/32"	
Width inches	39-3/8"	37"	58-9/32"	37"	39-3/8"	37"	58-9/32"	37"	
Depth inches	24-13/16"	13-3/8"	24-13/16"	13-3/8"	24-13/16"	13-3/8"	24-13/16"	13-3/8"	
Net Weight Lbs.	71.0	128.0	104.0	143.0	71.0	128.0	104.0	143.0	

** This is maximum elevation difference when the indoor unit is located above the outdoor unit. (Refer to the table on the back of the catalog for more detail.)

Condensate Pump SI-30-120 SI-30-240 SI1730-2



Replacement Anti-microbial Filter CZ-SA20P



Tube Size Adapter CZ-MA1P CZ-MA2P CZ-MA3P



Locking Bracket for Remote Control RCS5PS4B RCS4MHVB RCPTC110B



Fresh Air Intake Plenum CZ-26BCU1U CZ-42BCU1U



Wired Remote Controller CZ-RD516C-1



Wired Remote CZ-RD515U



Timer Remote Controller CZ-RTC2



System Controller CZ-64ESMC1U

H.V.A.C. Accessories		
Model No.	Description	Use With
DL04060815	Insulated Tubing Kit 1/4" x 3/8" x 1/2" x 15'	S9NKU-1, S12NKU-1, S9NKUA, S12NKUA, KS12NB41A, E9NKUA, E12NKUA, KE12NB41, CU-2S18NB4U, CU-2E18NBKU, CU-3KS19NBU, CU-4KS24NBU, CU-4KS31NBU, CU-3KE19NBU, CU-4KE24NBU, CU-4KE31NBU, CS-MKS7NKU, CS-MKS9NKU, CS-MKS12NKU, CS-MKE7NKU, CS-MKE9NKU, CS-MKE12NKU
DL04060820	Insulated Tubing Kit 1/4" x 3/8" x 1/2" x 20'	
DL04060835	Insulated Tubing Kit 1/4" x 3/8" x 1/2" x 35'	
DL04080815	Insulated Tubing Kit 1/4" x 1/2" x 1/2" x 15'	
DL04080820	Insulated Tubing Kit 1/4" x 1/2" x 1/2" x 20'	S18NKU-1, KS18NB4U, S18NKUA, KS18NB4UA, E18NKUA, KE18NKU, KE18NB4U, CU-3KS19NBU, CU-4KS24NBU, CU-4KS31NBU, CU-3KE19NBU, CU-4KE24NBU, CU-4KE31NBU, CS-MKS18NKU, CS-MKE18NKU, S12NKU-1, S12NKUA
DL04100820	Insulated Tubing Kit 1/4" x 5/8" x 1/2" x 20'	
DL04100830	Insulated Tubing Kit 1/4" x 5/8" x 1/2" x 30'	
DL04100850	Insulated Tubing Kit 1/4" x 5/8" x 1/2" x 50'	KS24NKUA, KE24NKU, CU-4KS24NBU, CU-4KS31NBU, CU-4KE24NBU, CU-4KE31NBU, CS-MKS24NKU, CS-MKE24NKU
DL06100830	Insulated Tubing Kit 3/8" x 5/8" x 1/2" x 30'	All 26,000 Through 42,000 BTU/h Models
DL06100850	Insulated Tubing Kit 3/8" x 5/8" x 1/2" x 50'	All 26,000 Through 42,000 BTU/h Models
CZ-26BCU1U	Fresh Air Intake Plenum	S-26PU1U6
CZ-42BCU1U	Fresh Air Intake Plenum	S-36PU1U6, S-42PU1U6
RCS5PS4B	Locking Bracket for Remote Controller	All 26,000 Through 42,000 BTU/h Models except 30 & 36
RCS4MHVB	Locking Bracket for Wireless Remote Controller	All KS, KE, MKS & MKE Models
RCPTC110B	Locking Bracket for Wireless Remote Controller	All S/E9, 12, 18, 22, 24 Models
BS600	Mounting Bracket for Outdoor Unit	CU-XE9PKUA, CU-XE12PKUA, CU-S9NKU-1, CU-S12NKU-1, CU-S18NKU-1, CU-S22NKU-1, CU-S26NKU-1, CU-S9NKUA, CU-S12NKUA, CU-S18NKUA, CU-S24NKUA, CU-KS30NKUA, CU-KS36NKUA, CU-KS12NK1A, CU-KS18NKUA, U-26PS1U6, U-36PS1U6, U-42PS1U6, CU-E9NKUA, CU-E12NKUA, CU-E18NKUA, CU-E24NKUA, CU-KE30NKU, CU-KE36NKU, CU-KE12NK1, CU-KE18NKU, U-26PE1U6, U-36PE1U6, U-42PE1U6, CU-2S18NB4U-1, CU-3KS19NBU, CU-4KS24NBU, CU-4KS31NBU, CU-2E18NB4U, CU-3KE19NBU, CU-4KE24NBU, CU-4KE31NBU
SI-30-120	Condensate Pump	All 115 volt Models
SI-30-240	Condensate Pump	All 230 volt Models (up to 2 ton)
SI1730-2	Condensate Pump	All 230 volt Models (High Vol. Condensate Removal) (2 ton and higher)
CZ-RE2C2	Simple Wired Remote	All 26,000 Through 42,000 BTU/h Models
CZ-RELC2	Simple Wired Remote with Backlight	
CZ-RD515U	Wired Remote Controller	All KS, KE, MKS & MKE Models
CZ-RD516C-1	Wired Remote Controller	XE9PKUA, XE12PKUA, S9NKUA, S12NKUA, S18NKUA, S24NKUA, E9NKUA, E12NKUA, E18NKUA, E24NKUA
CZ-RC515U	Wire Kit	PCB Wire Kit for CZ-RD515U - Required For Use With All KS&KE Models except 30 / 36
CZ-RC515UA	Wire Kit	PCB Wire Kit for CZ-RD515U, CS-KS30NKU, CS-KS36NKU, CS-KE30NKU, CS-KE36NKU
CZ-RTC2	Wired Timer Remote Controller	All 26,000 Through 42,000 BTU/h Models except 30 & 36
CZ-RWSK1U	Wireless Remote Controller	S-26PK1U6 / S-26PK1U6
CZ-RWSU2U	Wireless Remote Controller	S-26/36/42PT1U6, S-26/36/42PU1U6
CZ-RWSC1U	Wireless Remote Controller	S-26/36PF1U6
CZ-64ESMC1U	System Controller	All 26,000 Through 42,000 BTU/h Models except 30 & 36
CZ-MA1P	Tube size Reducer	CS-S12NKUW-1, CS-E12NKUAW (for connection with CU-2S18NB4U-1 / CU-2E18NBKU)
CZ-SA20P	Replacement Anti-microbial Filter	CS-S9NKUA, S12NKUA, S9NKUW-1, S12NKUW-1, CS-S18NKU, CS-S22NKU, CS-S18NKU-1, CS-S22NKU-1, CS-E9NKUAW, CS-E12NKUAW, CS-E18NKUA, CS-E24NKUA
WINDB-1	Wind Baffle	All models

Wired Remote Controllers (Except KE30/36NKU, KS30/36NKU)

Simplified Remote Controller



CZ-RE2C2 CZ-REL2 (with Backlight)

Key Features (Simple Remote):

- Thin and Easy To Read
- Simple To Install and Use
- Can Be Adapted for Use On All 26,000 through 42,000 Btu/h Indoor Units.
- Mode
- Fan Speed Control
- Set Temperature
- On/Off
- Airflow Direction
- Perfectly Suited for Applications Where Simpler Functionality is Required (ie: Hotel Rooms, Nursing Homes, Offices)

Timer Remote Controller



CZ-RTC2

Key Features (Standard Remote/7 Day Timer):

- Thin and Easy To Read
- Simple To Install and Use
- Can Be Adapted for Use On All Indoor Units
- Fan Speed Control
- Airflow Direction
- Operating Mode (Heating/Cooling/Auto/Dry/Fan)
- Vacation Mode for Continued Energy Efficiencies
- Full 7 Day Set-Back Functionality, With Up To 6 Time Periods/Day
- Full System Diagnostic Capability (Diagnostic History Provides Immediate View of System Past and Present.)

System Controller



CZ-64ESMC1U



Multiple Zone Controllers.

The Air Conditioning Gateway. Panasonic's system and intelligent controls are the central nervous system of the conditioning system, the gateway to all data, temperature and system diagnostics and the heart and soul of conditioning.

Key Features (System Control):

- Controls Up To 64 Units Into 4 Individualized Zones
- Alarm and Operational Signal Output
- Single Access Points for All Connected Wired Remotes

Wireless Remote Controllers

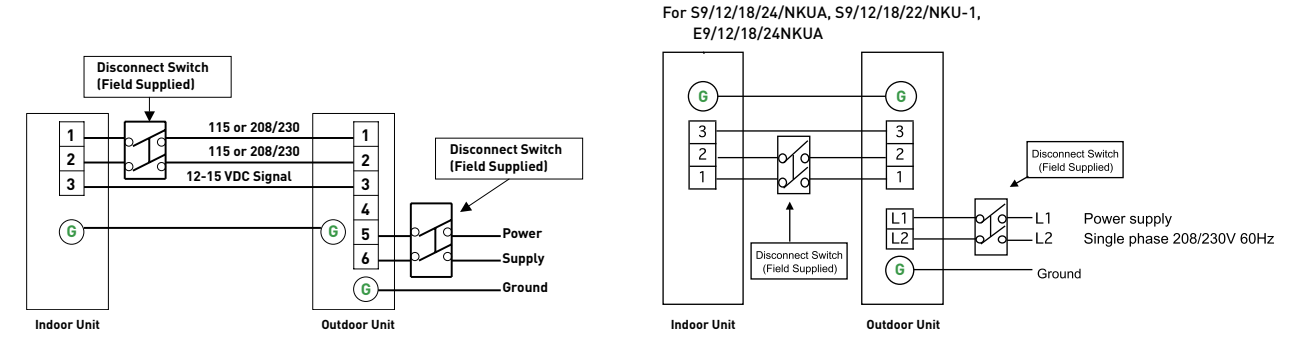
Wireless Remote Controller	Applicable Unit	U1-series (Ceiling Recessed Type) T1-series (Ceiling Suspended Type)	For All Large capacity series Indoor Units
	K1-series CZ-RWSK1U	Built-in type • Signal receiving unit can be installed in the outer panel of indoor unit. • Control panel can be installed in the inside indoor unit.	External type • Separate type signal receiving unit.
		CZ-RWSU2U	CZ-RWSC1U

Remote Controllers Functions

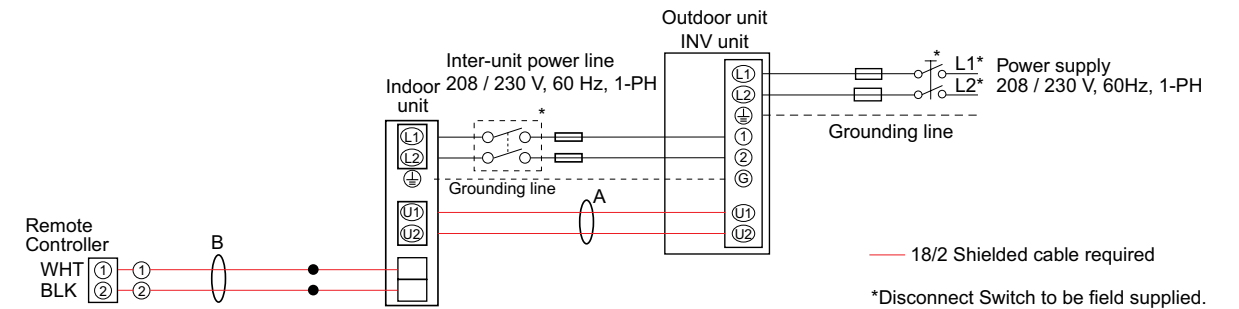
Function	Timer Remote Controller (CZ-RTC2)		System Controller (CZ-64ESMC1U)	
	● (Collective/Individual)	● (Individual)	● (Collective/Individual)	● (Individual)
ON/OFF	●	●	●	●
Operation mode switch	Heating	●	●	●
	Dry	●	●	●
	Cooling	●	●	●
	Fan	●	●	●
Temp setting	●	●	●	●
Fan speed setting (Hi/Mid/Lo/Auto)	●	●	●	●
Auto flap	●	●	●	●
Auto airflow direction setting	Auto airflow direction setting	●	●	●
	Arbitrary airflow direction setting	●	●	●
Sweep (Flap swing)	●	●	●	●
Sensor temp. display	●	●	●	×
Self-diagnostic function	●	●	●	●
Central control (at hand inhibited)	×	×	●	●
System	Group control	● (Up to 8 units)	● (Up to 64 groups)	● (Up to 64 groups)
Concurrent use with weekly timer	●	●	●	●
Setting Range	Cooling, dry	(°F)	65 - 86	65 - 86
	Heating	(°F)	61 - 79	61 - 79

Note:
If you use both remote controller and system controller concurrently, both controllers can be used on a last-signal priority basis.

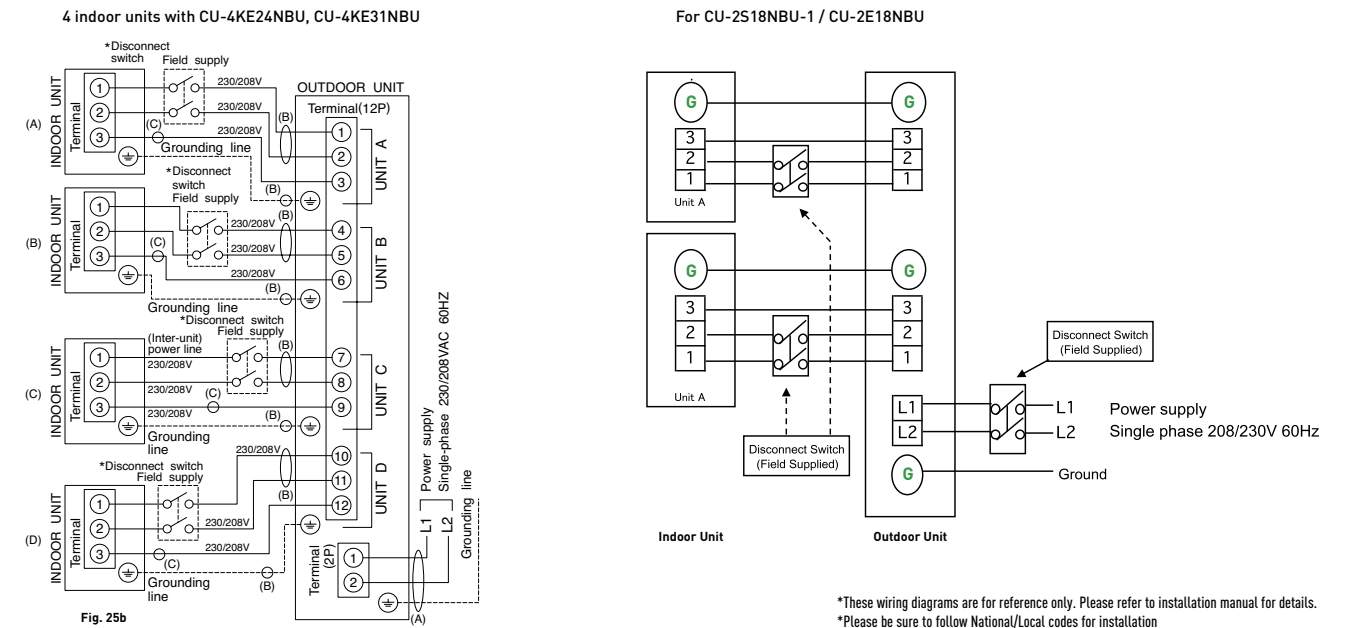
9,000 - 24,000 Btu/h single zone, KS30/36 NKUA, KE30/36NKU



26,000 - 42,000 Btu/h single zone wiring schematic (Except KS30/36NKUA, KE30/36NKU)



RAC Multi wiring schematic



*These wiring diagrams are for reference only. Please refer to installation manual for details.
*Please be sure to follow National/Local codes for installation

Cooling Models (S9/12/18/22NKU-1)

	Temperature	Indoor Air Intake Temp.	Outdoor Air Intake Temp.
Cooling	Maximum	90°F DB / 74°F WB	115°F DB
	Minimum	60°F DB / 52°F WB	60°F DB / 52°F WB

Low Ambient Cooling Models (S9/12/18/24NKUA)

	Temperature	Indoor Air Intake Temp.	Outdoor Air Intake Temp.
Cooling	Maximum	90°F DB / 74°F WB	115°F DB
	Minimum	60°F DB / 52°F WB	0°F DB(S18/24) / 5°F DB (S9/12)

Cooling Models above 26,000 Btu

	Temperature	Indoor Air Intake Temp.	Outdoor Air Intake Temp.
Cooling	Maximum	95°F DB / 71°F WB	115°F DB
	Minimum	67°F DB / 57°F WB	0°F DB

Cooling Models KS30/36NKUA

	Temperature	Indoor Air Intake Temp.	Outdoor Air Intake Temp.
Cooling	Maximum	95°F DB / 71°F WB	115°F DB
	Minimum	67°F DB / 57°F WB	0°F DB

RAC Multi KS Series Cooling Models

	Temperature	Indoor Air Intake Temp.	Outdoor Air Intake Temp.
Cooling	Maximum	95°F DB / 71°F WB	115°F DB
	Minimum	67°F DB / 57°F WB	14°F DB

RAC Multi KE Series Heating Models

	Temperature	Indoor Air Take	Outdoor Air Take
Cooling	Maximum	95°F DB / 71°F WB	115°F DB
	Minimum	67°F DB / 57°F WB	14°F WB
Heating	Maximum	80°F DB / 67°F WB	75°F DB / 65°F WB
	Minimum	60°F DB / -°F WB	0°F WB

Heat Pump Models (XE9/12PKUA)

	Temperature	Indoor Air Intake Temp.	Outdoor Air Intake Temp.
Cooling	Maximum	90°F DB / 74°F WB	115°F DB / 79°F WB
	Minimum	60°F DB / 52°F WB	0°F DB / 0°F WB
Heating	Maximum	86°F DB / -°F WB	75°F DB / 64°F WB
	Minimum	60°F DB / -°F WB	0°F DB / -2 °F WB

Heat Pump Models (E9/12/18/24NKUA)

	Temperature	Indoor Air Intake Temp.	Outdoor Air Intake Temp.
Cooling	Maximum	90°F DB / 74°F WB	115°F DB
	Minimum	60°F DB / 52°F WB	5°F DB(E18/24) / 5°F DB (E9/12)
Heating	Maximum	86°F DB / -°F WB	75°F DB / 64°F WB
	Minimum	60°F DB / -°F WB	5°F DB / -°F WB

Heat Pump Models above 26,000 Btu

	Temperature	Indoor Air Intake Temp.	Outdoor Air Intake Temp.
Cooling	Maximum	95°F DB / 71°F WB	115°F DB
	Minimum	64°F DB / 57°F WB	0°F DB
Heating	Maximum	86°F DB / 67°F WB	75°F DB / 65°F WB
	Minimum	61°F DB / -°F WB	-4°F DB

Heat Pump Models KE30/36NKU

	Temperature	Indoor Air Intake Temp.	Outdoor Air Intake Temp.
Cooling	Maximum	95°F DB / 71°F WB	115°F DB
	Minimum	67°F DB / 57°F WB	14°F DB
Heating	Maximum	80°F DB / 67°F WB	75°F DB / 65°F WB
	Minimum	60°F DB / -°F WB	0°F DB

Sanyo to Panasonic Cross Reference

* H/P: Heat Pump, C/O: Cooling Only

PAC Outdoor 2types / 10models

Category	Capacity Kbtu/h	Model No.	Model No.	
PAC-i (Split)	H/P	26	CH2672R	U-26PE1U6
		36	CH3672R	U-36PE1U6
		42	CH4272R	U-42PE1U6
	C/O	30	CH3082	CU-KE30NKU
		36	CH3682	CU-KE36NKU
		36	C3682	CU-KE36NKUA

PAC Indoor 5types / 15models (13models, Panel : 2models)

Category	Capacity Kbtu/h	Model No.	Model No.	
4-Way Cassette	H/P	26	XHW2672R	S-26PU1U6
		36	XHW3672R	S-36PU1U6
		42	XHW4272R	S-42PU1U6
	Panel	PNR-XH2442	CZ-24KP1U1	
		PNR-XH3642	CZ-36KP1U1	
		PNR-XH3642	CZ-36KP1U1	
Wall Mount	H/P	26	KHS2672R	S-26PK1U6
	C/O	36	KS3082	CS-KS30NKU
Wall Mount	H/P	30	KHS3082	CS-KS30NKU
		36	KHS3682	CS-KS36NKU
	C/O	30	KHS3082	CS-KS30NKU
		36	KHS3682	CS-KS36NKU
Ceiling Suspended	H/P	26	THW2672R	S-26PT1U6
	H/P	36	THW3672R	S-36PT1U6
Duct	H/P	26	UHW2672R	S-26PF1U6
		36	UHW3672R	S-36PF1U6

RAC (37models)

Category	Capacity Kbtu/h	Model No.	Model No.	
Mini Cassette	Inv C/O	12	XS1271	CS-KS12NB41
		Panel	PNR-XS1872	CZ-18BT1U
	Outdoor Unit	12	CL1271	CU-KS12NK1A
		18	C1872	CU-KS18NKU
Mini Cassette	Inv H/P	18	CL1872	CU-KS18NKUA
		24	C2472	CU-KS24NKU
	Outdoor Unit	24	CL2472	CU-KS24NKUA
		12	XHS1271	CS-KE12NB41
Wall Mount	Flexi Multi C/O	18	XHS1872	CS-KE18NB4UW
		Panel	PNR-XS1872	CZ-18BT1U
	Outdoor Unit	12	CH1271	CU-KE12NK1
		7	KMS0772	CS-MKS7NKU
Mini Cassette	Flexi Multi H/P	9	KMS0972	CS-MKS9NKU
		12	KMS1272	CS-MKS12NKU
	Outdoor Unit	18	KMS1872	CS-MKS18NKU
		24	KMS2472	CS-MKS24NKU
Mini Cassette	Flexi Multi C/O	9	XMS0972	CS-MKS9NB4U
		12	XMS1272	CS-MKS12NB4U
	Outdoor Unit	Panel	PNR-XS1872	CZ-18BT1U
		19	CM1972A	CU-3KS19NBU
Wall Mount	Flexi Multi H/P	24	CM2472A	CU-4KS24NBU
		31	CM3172A	CU-4KS31NBU
	Outdoor Unit	7	KMHS0772	CS-MKE7NKU
		9	KMHS0972	CS-MKE9NKU
Mini Cassette	Flexi Multi C/O	12	KMHS1272	CS-MKE12NKU
		18	KMHS1872	CS-MKE18NKU
	Outdoor Unit	24	KMHS2472	CS-MKE24NKU
		9	XMHS0972	CS-MKE9NB4U
Mini Cassette	Flexi Multi H/P	12	XMHS1272	CS-MKE12NB4U
		Panel	PNR-XS1872	CZ-18BT1U
	Outdoor Unit	19	CMH1972A	CU-3KE19NBU
		24	CMH2472A	CU-4KE24NBU
Mini Cassette	Flexi Multi C/O	31	CMH3172A	CU-4KE31NBU
		31	CMH3172A	CU-4KE31NBU

Controllers

Category	Common	Model No.	Model No.
Wireless RC	4-Way	RCS-BH80AAB.WL	CZ-RWSC1U
	Wall Mount	RCS-SH80AAB.WL	CZ-RWSU1U
	4-Way	RCS-SH1AAB	CZ-RWSK1U
System Controller		SHA-KC64UG	CZ-64ESMC1U
Simple Remote		RCS-KR1EG	CZ-RE2C2
Simple Wired RC		NEW	CZ-RELC2
Wireless RC	U1/T1 Series	RCS-SH80UA.WL	CZ-RWSU2U
		STK-KCW1	CZ-RC515U
Wired Kit		STK-KCW2	CZ-RC515UA
Wired RC		STK-RCS-7TWSUA	CZ-RD515U

Accessories

Category	Model No.	Model No.	
Fresh Air Intake	4-Way	CMB-GSJ80U	CZ-26BCU1U
	4-Way	CMB-GSJ140U	CZ-42BCU1U
Outdoor Bracket		STK-KSB2050	CZ-12UD1U
		STK-KSB0500	CZ-30UD1U

Rating Conditions

	Cooling	Heating
Inside air temperature	80°F DB / 67°F WB	70°F DB / 60°F WB
Outside air temperature	95°F DB (75°F WB)	47°F DB / 43°F WB

SYSTEM MODEL	OD Tube Size (Inches)		Maximum length (ft) of tubing between In/Outdoor	Maximum Elevation difference (ft) between In/Outdoor		Maximum Length(ft) of Tubing at shipment	Required Additional Refrigerant Oz/ft	Insulation															
	Narrow	Wide		Outdoor Above	Outdoor Below																		
S9NKU-1	1/4"	3/8"	49'	16'	16'	25'	R-410A 0.2	Both Tubes															
S9NKUA			66'	49'	49'																		
XE9PKUA				49'	16'				16'														
E9NKUA					66'				49'	49'													
KS12NB41A									23'	23'	23'												
KE12NB41										49'	16'	16'											
S12NKU-1											66'	49'	49'										
S12NKUA												33'	49'	49'									
XE12PKUA													100'	50'	50'								
E12NKUA														50'	50'	50'							
S18NKU-1	66'	49'				49'																	
S18NKUA		33'	49'			49'																	
E18NKUA			100'	49'		49'																	
KS18NKUA				50'	50'	50'																	
KS18NB4UA					66'	49'	49'																
KE18NB4U						131'	49'	49'															
S22NKU-1							100'	49'	49'														
S24NKUA								100'	49'	49'													
E24NKUA									100'	49'	49'												
26PSK1U6										165'	100'	50'											
26PST1U6	100'										100'	50'											
26PSU1U6		100'									100'	50'											
26PSF1U6			100'								100'	50'											
26PEK1U6				100'							100'	50'											
26PET1U6					100'						100'	50'											
26PEU1U6						100'					100'	50'											
26PEF1U6							100'				100'	50'											
KS30NKUA								100'			100'	50'											
KE30NKU									100'		100'	50'											
KS36NKUA										100'	100'	50'											
KE36NKU	100'										100'	50'											
36PST1U6		100'									100'	50'											
36PSU1U6			100'								100'	50'											
36PSF1U6				100'							100'	50'											
36PET1U6					100'						100'	50'											
36PEU1U6						100'					100'	50'											
36PEF1U6							100'				100'	50'											
42PST1U6								100'			100'	50'											
42PSU1U6									100'		100'	50'											
42PET1U6										100'	100'	50'											
42PEU1U6	100'										100'	50'											
CU-2S18NBU-1		1/4"									3/8"x3, 1/2"x1	49'	49'	65'	R-410A 0.2								
CU-2E18NBU			82'									3/8"x2, 1/2"x2	50'	50'		150'							
CU-3KS19NBU				100'													3/8"	82'					
CU-3KE19NBU					100'														82'				
CU-4KS24NBU						100'														82'			
CU-4KE24NBU							100'														82'		
CU-4KS31NBU								100'														82'	
CU-4KE31NBU									100'														82'
CU-5KE36QBU										100'													